

# Fort Standard



## Elevate

Three angular legs split off from a triangular center post elevating small geometric stone tops. A small triangular tenon pierces the center of the table top communicating the construction and creating a subtle surface detail.

## Materials

White oak and white carrara shown  
Domestic hardwood species available include white oak, walnut, hard maple or ash. Many stone options available

## Specifications

Available with circular, triangular or hexagonal stone top

## Finish

Water-based polyurethane or hand rubbed oil finish

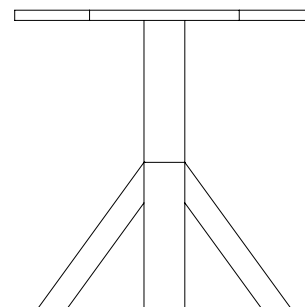
## Lead Time

8-10 weeks

## Base Price

\$2,300

## Dimensions



18 x 18 x 21"